

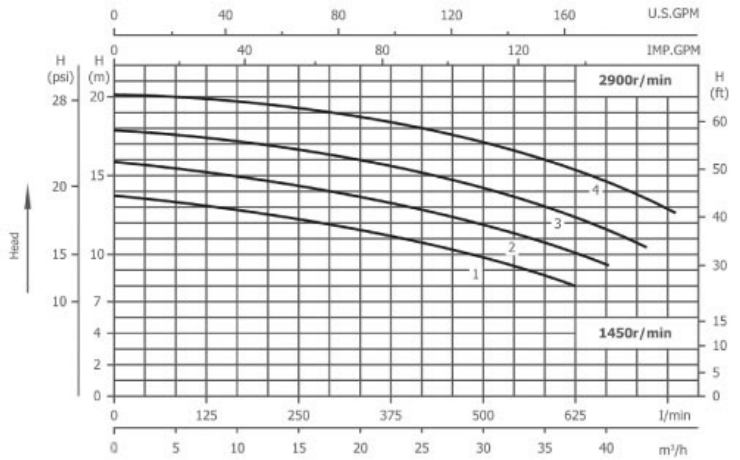
MAXER

SPA PUMPS

“BANEERBO”



MAXER SPA PUMPS "BANEERBO"



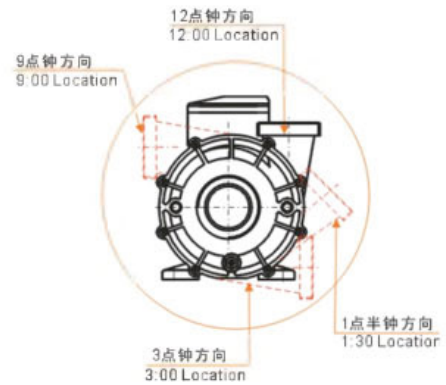
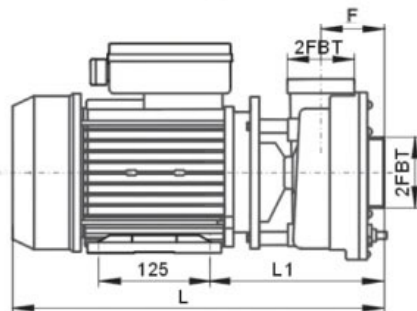
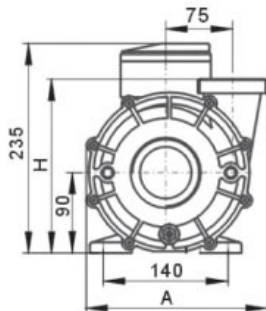
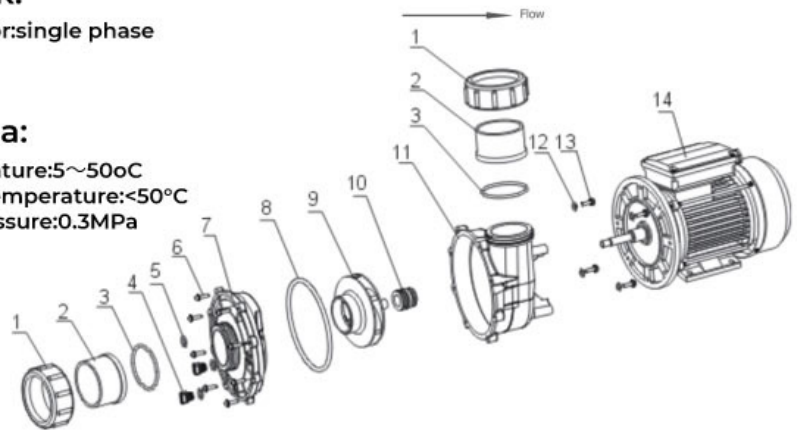
No	Name
1	Tie-in Nut
2	Tie
3	O-Ring
4	Hexagon Screw
5	O-Ring
6	Cross raised head screw assembling
7	Pump Cover
8	O-Ring
9	Impeller
10	Mechanical seal
11	Pump Casing
12	Plain Washer
13	Plastio spaeer
14	Motor

Fitur Produk:

Thermal protector:single phase
Insulation:F
Protection:IP55

Kondisi kerja:

Medium temperature:5~50oC
Environmental temperature:<50°C
Max.working pressure:0.3MPa



Model	A	H	L	L1	F
MSH -200	202	197	416	197	73
MSH -250	202	197	416	197	73
MSH -300	202	197	416	197	73
MSH -400	211	210	421	200	75

Model	Qmax (l/min)	Hmax (m)	Curves	V/Hz	Power(P ₁) kW	HP	(Amps)	Fitting size (mm)	(kg)	Packing size (mm)	(Qty/20')
MSH -200	620	14	1	220-240/50	1.5	2.0	7.0	60.3or63	15.3	460x235x295	910
MSH -250	670	16	2	220-240/50	1.85	2.5	9.5	60.3or63	16.3	460x235x295	910
MSH -300	730	18	3	220-240/50	2.2	3.0	10	60.3or63	18	460x235x295	910
MSH -400	780	19	4	220-240/50	3.0	4.0	14	60.3or63	19.2	460x235x295	910