

MAXER

RESIDENTIAL PUMP (CIRCULATING PUMP)



"IBER"



MAXER CIRCULATING PUMP

“IBER” NSE SERIES

Model Definition

NS E 300 G S W S

- S: 304; L: 316L
- W: 50Hz; L: 60Hz
- S: 3PH (≤3KW, 220/380V; >3KW, 380V)
- D: 1PH (220V/50Hz; 230V/60Hz)
- G: Metric joints; Y: Inch joints
- Motor power HP*100 pump
- Series number
- Pool Pump



Materials

- Engineering plastics made water inlet and outlet
- Mechanical seal module material: Graphite/Silicon Carbide
- O-ring: NBR
- Aluminium motor casing

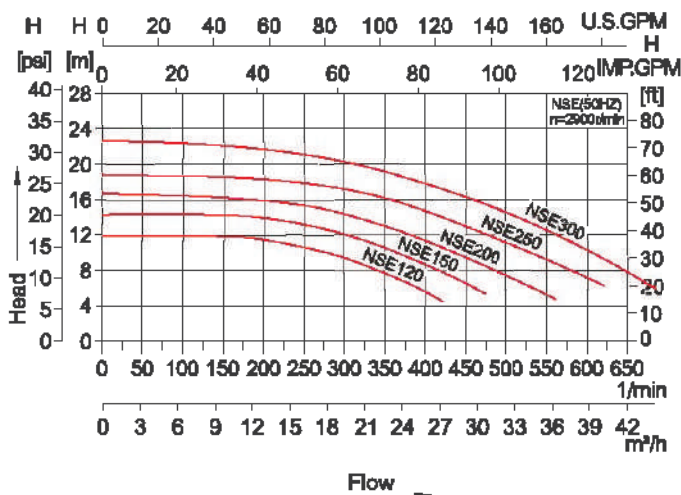
Working Condition

- Working Temp: 5-50°C
- Ambient temp: ≤40°C
- Working pressure: 0.3MPa
- Max Self-priming Height: 1.5 meters

Motor

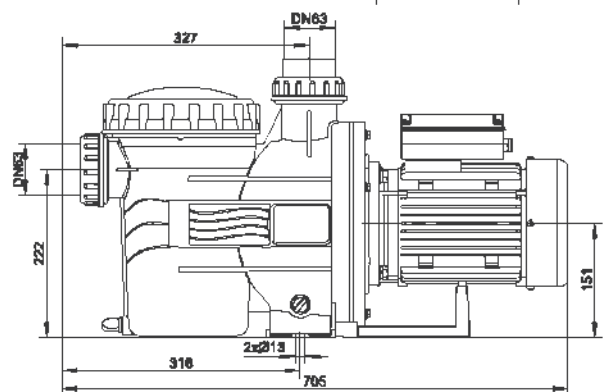
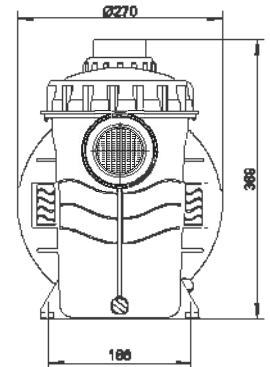
- 230/380V asynchronous two-pole motor
- Protection class: IP55
- Insulation class: F
- Continuous operation capability
- Built-in overheat protection short circuit device

Performance Curve



Installation Sketch

Model	L
NSE120	875
NSE150	875
NSE200	705
NSE250	705
NSE300	705



Performance Table

Model	Power		Max Head [m]	Max Flow		Packing Size L*W*H[cm]	GW [KG]	Flow Q [m³/h]	Flow Q [l/min]	5	10	15	20	25	30	35
	[KW]	[HP]		[m³/h]	[l/min]					83	167	250	333	417	500	583
NSE250	2.2	3	19.0	35.0	583	68*30*38	24.7	18.5	18.1	17.8	16.2	13.6	9.2	5.8		
NSE300	3	4	23.0	39.0	650	68*30*38	25.6	22.1	21.9	20.8	18.9	16.5	13.0	8.5		