

# MAXER

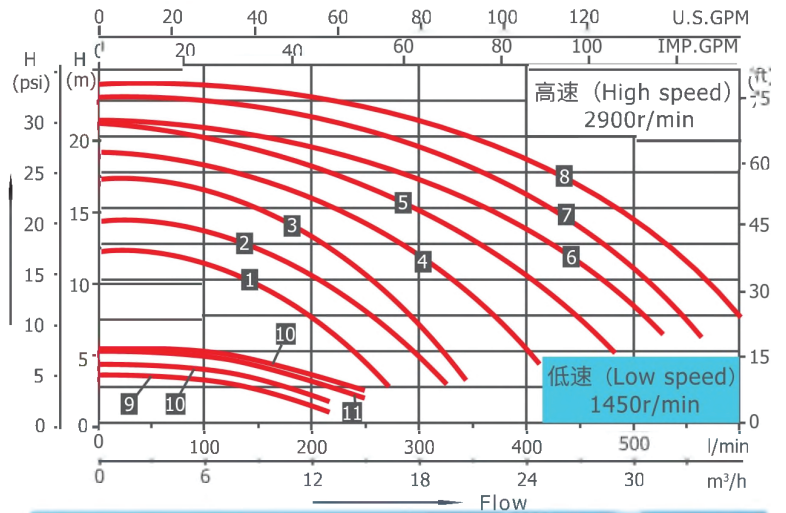
## RESIDENTIAL PUMP (CIRCULATING PUMP)



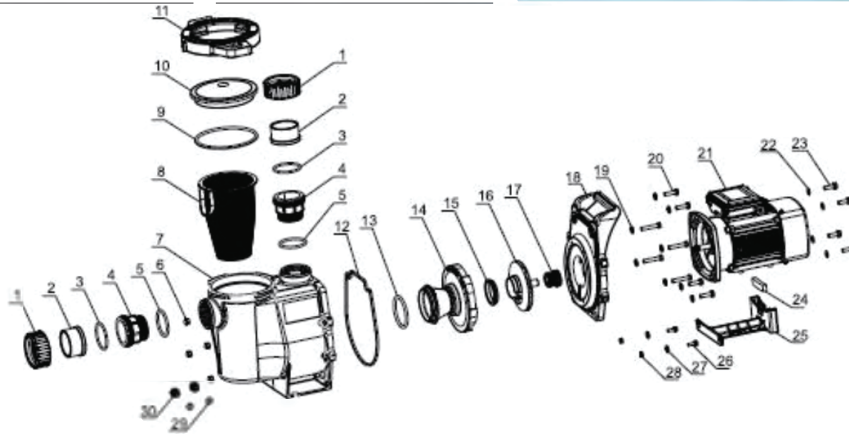
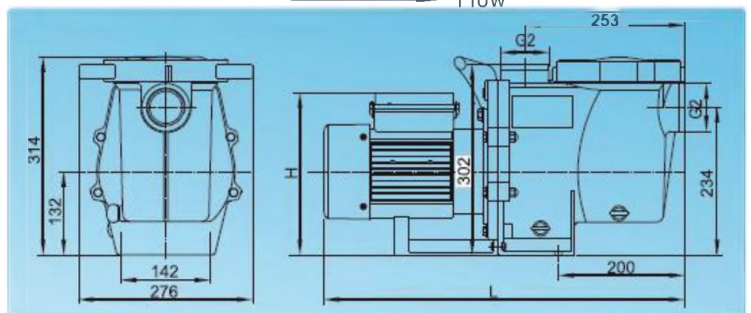
# “PRASAAR”



# Maxer Residential Pump



No	Name	No	Name
1	Tie-in Nut	6	Acorn nut
2	Tie	7	Pump Casing
3	O-Ring	8	Filter
4	Transition Union	9	O-Ring
5	O-Ring	10	Transparent cover



No	Name
11	Gland cover of transparent cover
12	Gasket
13	O-Ring
14	Guide vane assembly
15	Guide vane assembly
16	Impeller
17	Mechanical Seal
18	Pump cover
19	Washer
20	Hexagon Screw
21	Motor
22	Washer
23	Hexagon Screw
24	Plastic strips
25	Base
26	Hexagon Screw
27	Washer
28	Hexagon Nut
29	O-Ring
30	Drainage Plug

Model	Power (PI)		(Amps) 200v	Qmax (l/min)	Hmax (m)	(curves)	Packing size (mm)	(Qty/20')
	Kw	HP						
M CP2-75	0.55	0.75	3.2	285	12	1	635X310X370	398
MCP2-100	0.75	1.0	3.8	315	15	2		
MCP2-120	0.9	1.2	4.6	335	17	3		
MCP2-150	1.1	1.5	5.2	400	19	4		
MCP2-200	1.5	2.0	7.0	480	21	5		
MCP2-250	1.85	2.5	8.6	530	21	6		
MCP2-300	2.2	3.0	10	550	22	7		