

# MAXER

## SPA PUMPS

### “BANEERBO PLUS”



# BANEERBO PLUS

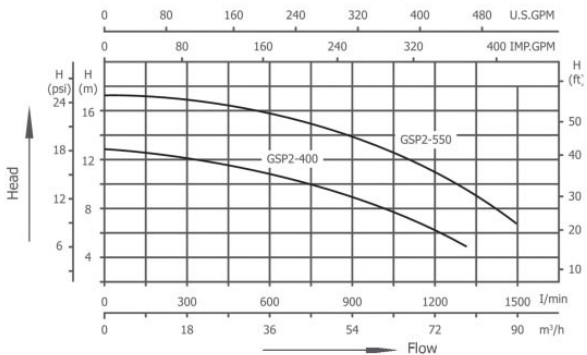
Experience peak performance with the Baneerbo Plus. This powerful 4.0 HP pump delivers exceptional hydraulic efficiency and stable pressure, making it the ideal engine for large-volume spas and professional water features.



## Working Condition

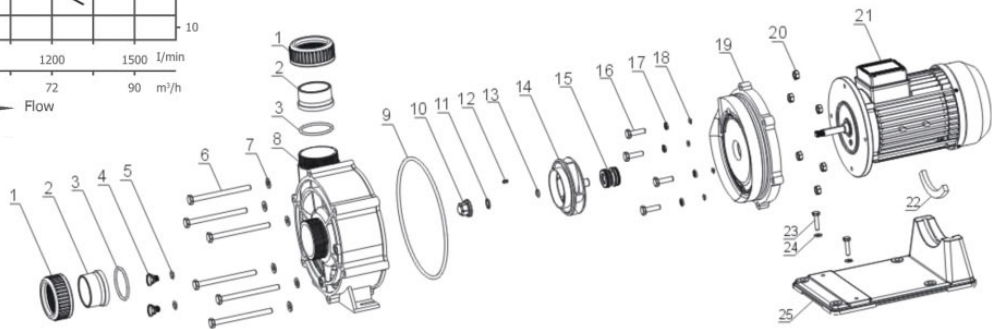
- Medium Temperature : 5~50°C
- Environmental temperature : <50°C
- Max. Working pressure : 0.3MPa

## Performance Curve

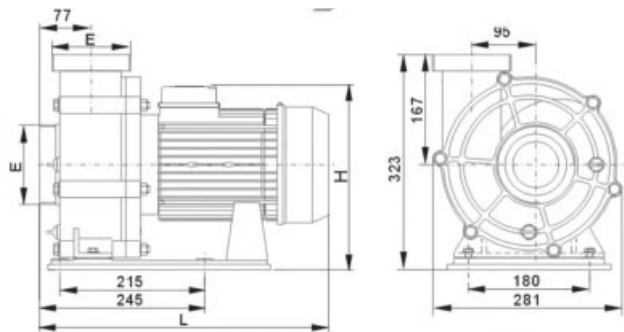


## Materials

1. Tie-In Nut
2. Tie
3. O-Ring
4. Injector Or Drainage Plug
5. O-Ring
6. Plastic Spacer
7. Washer
8. Pump Casing
9. O-Ring
10. Impeller Nut
11. Light Spring Pad
12. Flat Key
13. O-Ring
14. Impeller
15. Mechanical Seal
16. Hexagon Screw
17. Seal Gasket
18. O-Ring
19. Pump Cover
20. Nut
21. Motor
22. Plastic Strips
23. Hexagon Screw
24. Washer
25. Hexagon Screw



Model	A	H	L
MSP-400	412	274	4.5BUT



Model	Qmax (l/min)	Hmax (m)	Power(P)		(Amps)		Fitting Size			(kg)	Packing Size (mm)	(Qty/20')
			Kw	HP	200V/50Hz	380V/50Hz	2.5"	3"	4"			
MSP-400	1300	13	3.0	4.0	-	5.2	73	88.9	110	23.9	445x310x360	584