



AIR BLOWER

MAB2 SERIES

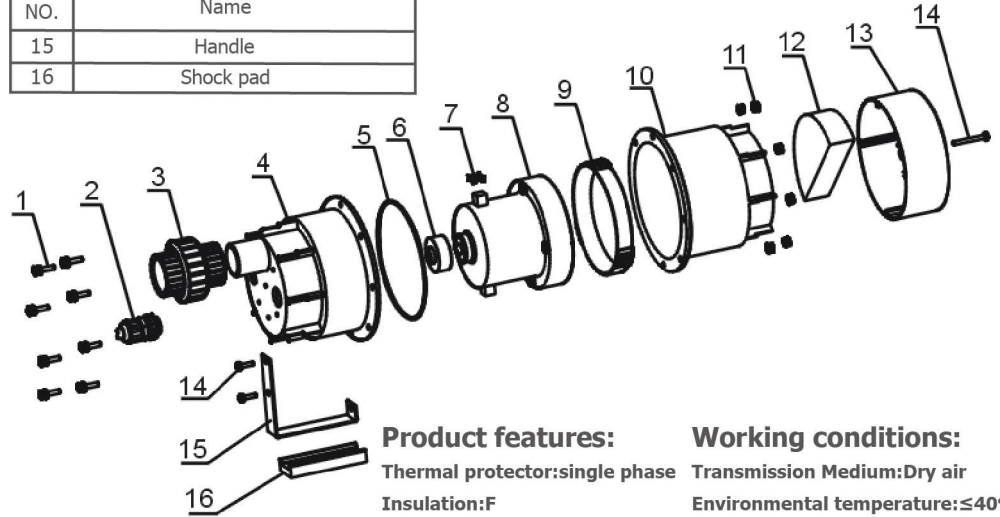
Enhanced Relaxation and Therapy

Maxer Air Blower is our most popular outdoor-rated for one simple reason. It's quiet! Turn on your Air Blower day or night, and you will not disturb your neighbors or ruin your relaxing spa experience. The secret is the unique rubber motor mount which encases the fan housing while allowing the motor to vibrate freely on a flexible rubber base.

Detail Specification AIR BLOWER

NO.	Name
1	cross raised head screw assembling
2	Cable head
3	Union components
4	Upper part of housing
5	O-Ring
6	On shell pads
7	Fuse
8	Motor
9	Pad under the shell
10	Bottom part of housing
11	Hexagonal Nut
12	Air intake filter sponge
13	Air cover
14	Cross recessed pan head tapping screws

NO.	Name
15	Handle
16	Shock pad

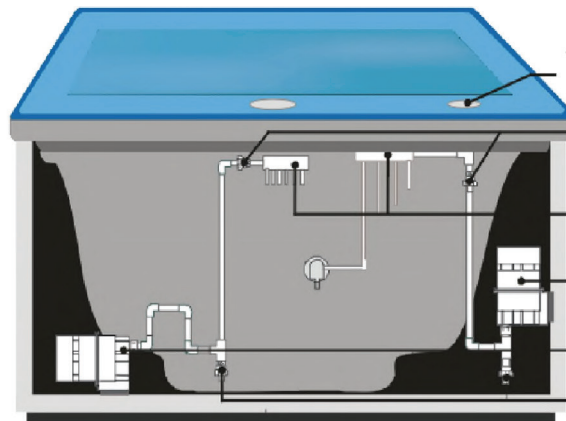


Product features:

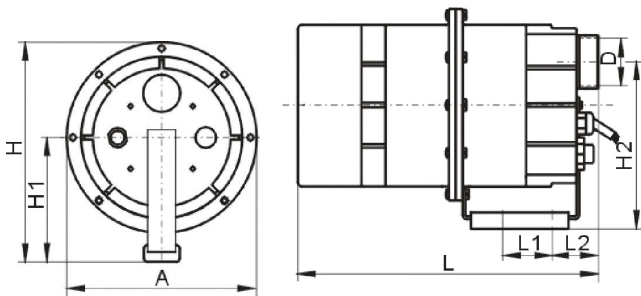
Thermal protector:single phase
Insulation:F

Working conditions:

Transmission Medium:Dry air
Environmental temperature:≤40°C
Max.working pressure:0.1MPa



- Air intake of gas regulating valve
- Check valve
- Air-distributing pipe
- Vertical installation
- Horizontal installation
- Draining valve



Model	Shape size (mm)										
	Shape size (mm)			Shape size (mm)			L1	A	H	H1	H2
	L	L2	D	L	L2	D					
MAB2-400	276	50.0	φ32	269	42.5	G1½	52.5	φ168	179	95	130
MAB2-700	276	50.2	φ32	269	42.5	G1½	52.5	φ168	179	95	130
MAB2-900	276	50.2	φ32	269	42.5	G1½	52.5	φ158	179	95	130

Model	Power (W)	Power (p _i)		Max Pressure (Mpa)	Air Volume (m ³ /min)	Noise Level dB(A)	Jets Qtyl (pc)	Recomended water depth (m)	(Kg)	Packing size (mm)	(Qty/20')
		110-120V	220-240V								
MAB2-400	400	4.0	2.5	0.014	1.5	<69	12~24	0.6	2.0	290x155x175	3686
MAB2-700	700	7.0	3.3	0.018	2.0	<70	16~32	0.8	2.8	300x190x215	2366
MAB2-900	900	9.0	4.5	0.025	2.4	<74	20~40	1.0	2.8	300x190x215	2366